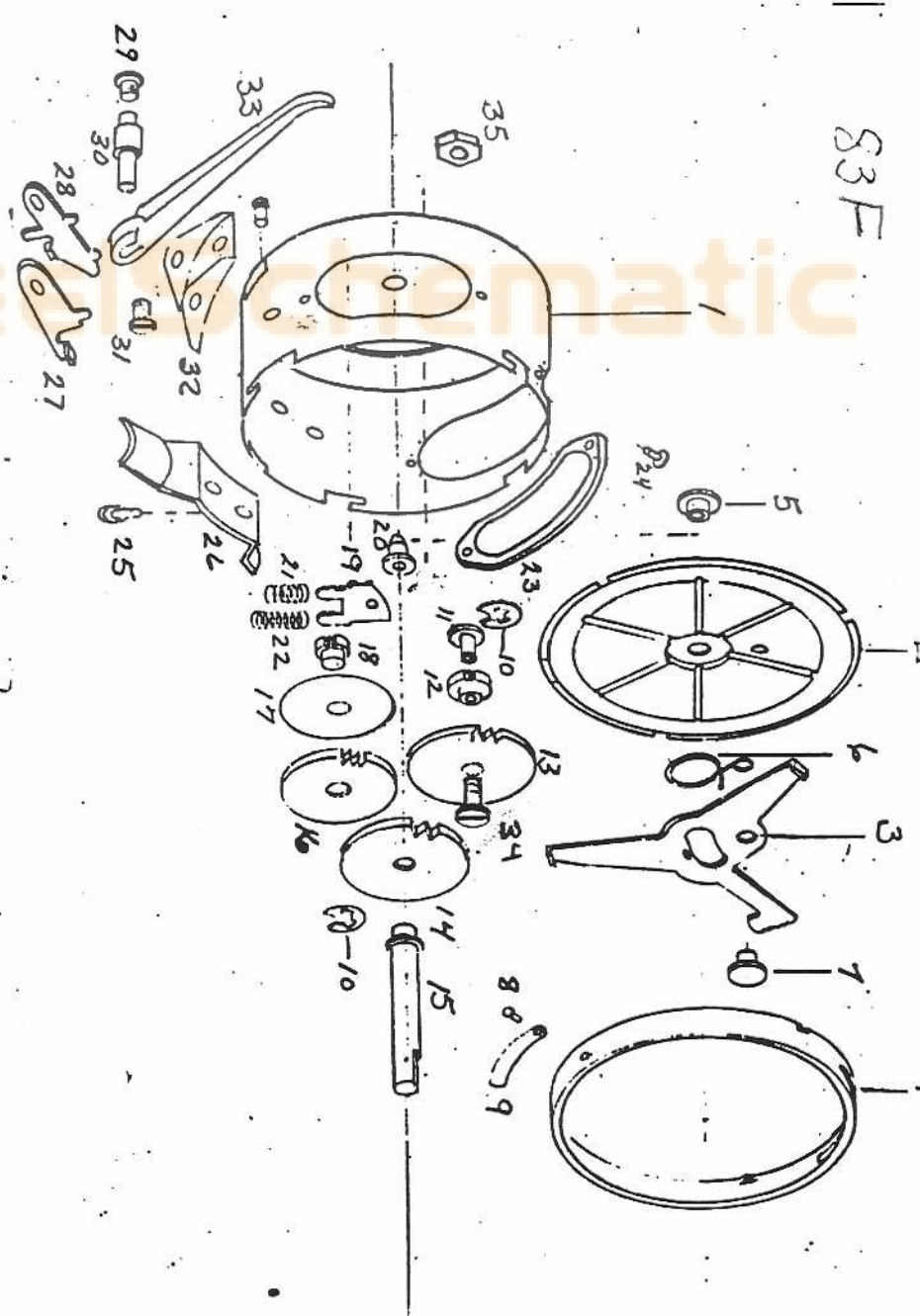


83F



PART NUMBER	QUANTITY	PART NUMBER	QUANTITY
1 S-1-83F BACK GREY	1	19 PAWL RELEASE HOLDER	1
2 75- INSIDE CASE	1	53 S-4 BACK BUSHING	1
3 73- LOCK LEVER	1	52 RATCHET PAWL SPRING	1
4 76- RIM	1	51 RELEASE SPRING	1
5 27-PN RUSHING	1	23 23-3/8 PLINE GUIDE DELUXE	1
6 77 LOCK LEVER SPRING	1	24 23 RIVET	3
7 71 LOCK LEVER STUD	1	25 S-3 RIVET	4
8 54 RIM RIVET	1	26 785 REEL FOOT	1
9 42F RIM LOCK SPRING (D)	1	27 50 RATCHET PAWL	1
10 347 GEAR RETAINER	2	28 49 RELEASE PAWL	1
11 65 GEARING	2	29 55 SCREW DELUXE	1
12 S-9 PINION GEAR	1	30 43-48 GRATE SHAFT	1
13 S-10-R SECONDARY GEAR	1	31 56- SCREW DELUXE	1
14 S-10 SPINDLE GEAR	1	32 44 F.U LEVER BRACKET	1
15 S-16-4 SPINDLE	1	33 57 BRAKE LEVER DELUXE	1
16 S-12 RATCHET GEAR	1	34 62 BEARING SCREW	2
17 S-14 FRICTION SPRING	1	35 D-68 NUT BEARING SCREW	2
18 S- RATCHET PINION	1		